



**Manufacturer:**  
Amphenol Fiber Optic Products

**Product Name:**  
Amphenol SMA Adapter Metal In-Line - Half Length

**Manufacturer Part Number:**  
905-120-5004

▶ [Click here for more details on the Amphenol SMA Adapter Metal In-Line - Half Length](#)

**P/N: 905-120-5004**

**Description:** SMA, Half Length In-Line Adapter (Coupler)



Amphenol Fiber Optic Products was the pioneer in developing the first industry standard fiber optic interconnect system by introducing the SMA connector & adapter. The 905 Series was the first fiber optic interconnect system to gain industry wide acceptance.

### Overview

The Standard SMA Adapter, comes with Dust Caps, Lock Washer and Panel nut. The SMA adapters can be used with single and multi-mode fibers. The SMA adapter is an ideal way to extend cable length by joining two fiber optic cables together.



### Features & Benefits

- Quality construction ensures long life, durability & dependability
- Bulkhead Feed-through type, D-Hole mounting
- Dust Caps protect against debris and contamination



### Applications

- Medical / Surgical
- Laser Systems
- Industrial
- Spectrometers
- Data Communications

### Technical Specifications

Adapter Side A	Threaded 1/4 x 36 2B UNS
Adapter Side B	Threaded 1/4 x 36 2B UNS
Fiber Type	Multi-Mode
Weight	.01 oz

### Physical Characteristics

SMA Adapter Body	Nickel Plated Brass
Hex Nut	Nickel Plated Brass
Lockwasher	Stainless Steel
Dust Cap	Vinyl
Mounting Hole Recommendation	6.4 mm
Length	11.3 mm / .445"

### Environmental Specifications

Operating Temperature:	-40°C to 85°C
Storage Temperature:	-40°C to 70°C

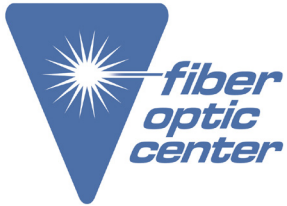


**Contact the professionals at Fiber Optic Center for a quote or to get more details.**

[focenter.com](http://focenter.com) • 508-992-6464 | (800) 473-4237 • [sales@focenter.com](mailto:sales@focenter.com)

23 Centre Street • New Bedford, MA 02740 USA

*Product specifications and data are subject to change without notice.*



**Manufacturer:**  
Amphenol Fiber Optic Products

**Product Name:**  
Amphenol SMA Adapter Metal In-Line - Half Length

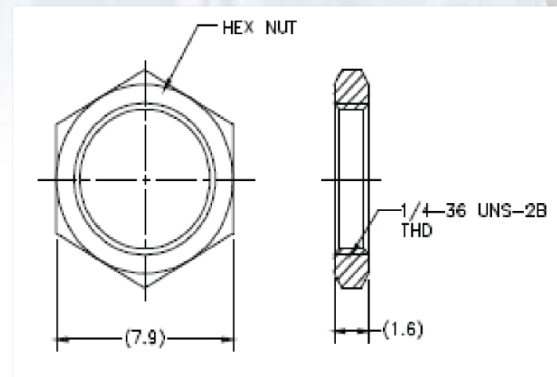
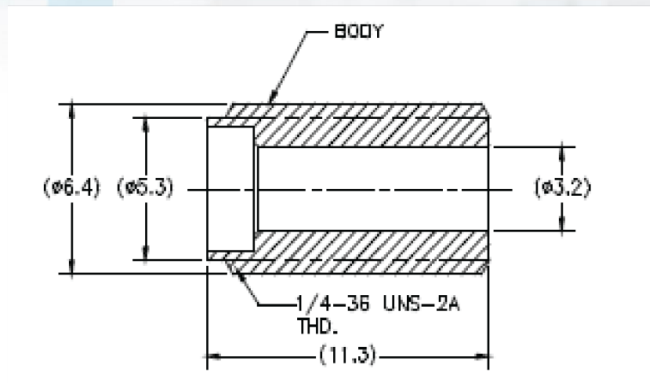
**Manufacturer Part Number:**  
905-120-5004



▶ [Click here for more details on the Amphenol SMA Adapter Metal In-Line - Half Length](#)

**P/N: 905-120-5004**

### Assembly Drawing



### Ordering Information

Order Code:	Customization Options:	MOQ (Minimum Order Quantity):
905-120-5004-P	Individual Packaging Bulk Packaging (100)	300 Pieces

### Environmental Specifications

Testing Method: 100% tested for optical performance

### Compliance and Certifications

IEC 61754-22 Compliant: RoHS / Reach



**Contact the professionals at Fiber Optic Center for a quote or to get more details.**

[focenter.com](http://focenter.com) • 508-992-6464 | (800) 473-4237 • [sales@focenter.com](mailto:sales@focenter.com)

23 Centre Street • New Bedford, MA 02740 USA

*Product specifications and data are subject to change without notice.*