

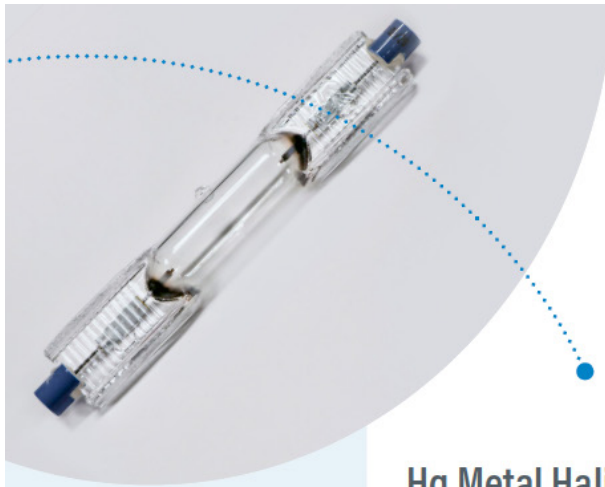


Manufacturer:
Dymax

Product Name:
Dymax 2000-EC and 5000-EC Replacement Bulb (Standard)

Manufacturer Part Number:
38560

▶ [Click here for more details on the Dymax 2000-EC and 5000-EC Replacement Bulb \(Standard\)](#)



Hg Metal Halide Bulb

- Compatible with Dymax EC, ECE, and Porta-Ray® flood systems

Also compatible with legacy systems, including the BondBox, PC-2, PC-5, ADAC CureZone, ADAC CureZone 2, ADAC CureZone 2H0, PC-series, and AS-series

- Long bulb life - fewer bulb changes for lower operating costs
- Matches the cure chemistry of most Dymax light-curable materials

The UV curing bulb is a key component in a light-curing flood lamp system. Dymax UV curing bulbs maximize curing intensity while minimizing intensity degradation over time, resulting in fewer bulb changes as well as lower operating costs. Hg metal halide bulbs come standard in Dymax EC and ECE-series flood lamps to match the cure chemistry of most Dymax light-curable materials.

Specifications*	
Part Number	38560
Connection/Socket	R7s
Lamp Current	3.2 A
Lamp Voltage	135 V (±15V)
Lamp Wattage	380W
Line Voltage	230V
Ballast Type	400W Power Supply
Ignitor	ZRM 4.5 ES/B
Operating Position	Horizontal
Tube Temperature	650°C - 950°C
Useful Life	2,000 Hours
Intensity Degradation	≤ 20% at 315-400 nm after 2,000 hours - based on 20 hours value
Power Switching	25' / 5' (on/off)

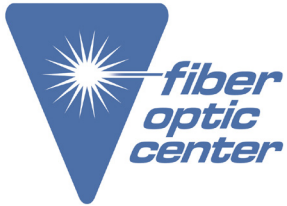
* All data is based on average values, which have been achieved upon normal conditions. Due to technical and/or physical reasons, individual lamp performance may vary ± 10%.

Contact the professionals at Fiber Optic Center for a quote or to get more details.

focenter.com • 508-992-6464 | (800) 473-4237 • sales@focenter.com

23 Centre Street • New Bedford, MA 02740 USA

Product specifications and data are subject to change without notice.

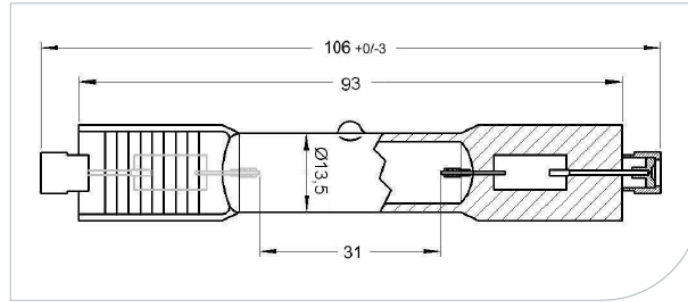


Manufacturer:
Dymax

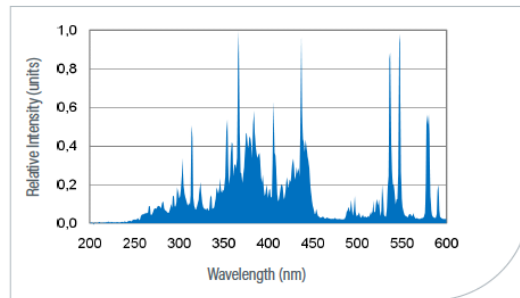
Product Name:
Dymax 2000-EC and 5000-EC Replacement Bulb (Standard)

Manufacturer Part Number:
38560

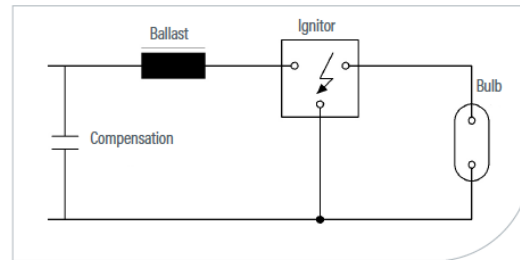
▶ [Click here for more details on the Dymax 2000-EC and 5000-EC Replacement Bulb \(Standard\)](#)



Hg Metal Halide Bulb Dimensions



Standardized Spectrum



Circuit Diagram

©2020 Dymax Corporation. All rights reserved. All trademarks in this guide, except where noted, are the property of, or used under license by, Dymax Corporation, U.S.A.

Please note that most light-curing system applications are unique. Dymax does not warrant the fitness of the product for the intended application.

Dymax recommends that any intended application be evaluated and

tested by the user to ensure that desired performance criteria are satisfied. |

Dymax reserves the right to change

drawings and technical data in this bulletin. The latest updated version of the bulletin is prevailing. It is within the responsibility of the customer to check whether the latest updated version of the bulletin is available.

PB082 8/25/2020

Contact the professionals at Fiber Optic Center for a quote or to get more details.

focenter.com • 508-992-6464 | (800) 473-4237 • sales@focenter.com

23 Centre Street • New Bedford, MA 02740 USA

Product specifications and data are subject to change without notice.