

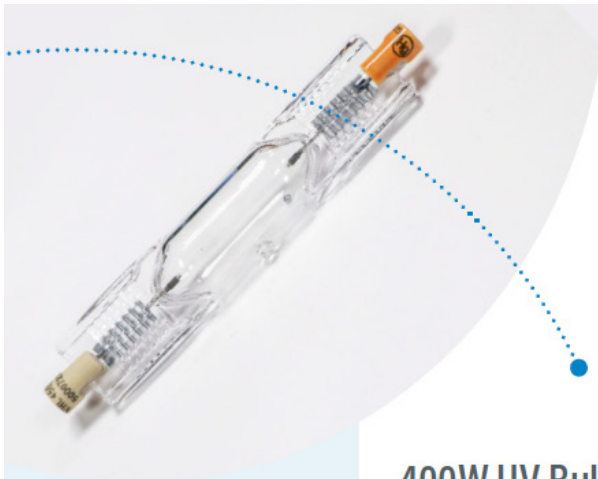


Manufacturer:
Dymax

Product Name:
Dymax 2000-EC and 5000-EC Replacement Bulb (UVB, Shortwave)

Manufacturer Part Number:
36970

▶ Click here for more details on the Dymax 2000-EC and 5000-EC Replacement Bulb (UVB, Shortwave)



400W UV Bulb - Mercury

- Compatible with Dymax EC, ECE, and Porta-Ray* flood systems

Also compatible with legacy systems, including the BondBox, PC-2, PC-5, ADAC CureZone, ADAC CureZone 2, ADAC CureZone 2H0, PC-series, and AS-series

- Ideal for curing UV inks and coatings

The UV curing bulb is a key component in a light-curing flood lamp system. Dymax UV curing bulbs maximize curing intensity while minimizing intensity degradation over time, resulting in fewer bulb changes as well as lower operating costs. Mercury bulbs are ideal for curing inks and coatings and are compatible with Dymax EC and ECE-series flood lamps.

Specifications*	
Part Number	36970
Connection/Socket	R7s
Lamp Current	3.2 A
Lamp Voltage	135 V (±15V)
Lamp Wattage	380W
Line Voltage	230V
Ballast	N 400-03.2-34/12 Fa. M+C
Ignitor	ZRM 4.5 ES/B
Operating Position	Horizontal
Tube Temperature	650°C - 950°C
Useful Life	750 Hours
Intensity Degradation	≤ 30% at 200-280 nm after 500 hours - based on 20 hours value
Power Switching	25' / 5' (on/off)

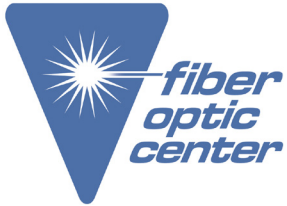
* All data is based on average values, which have been achieved upon normal conditions. Due to technical and/or physical reasons, individual lamp performance may vary ± 10%.

Contact the professionals at Fiber Optic Center for a quote or to get more details.

focenter.com • 508-992-6464 | (800) 473-4237 • sales@focenter.com

23 Centre Street • New Bedford, MA 02740 USA

Product specifications and data are subject to change without notice.

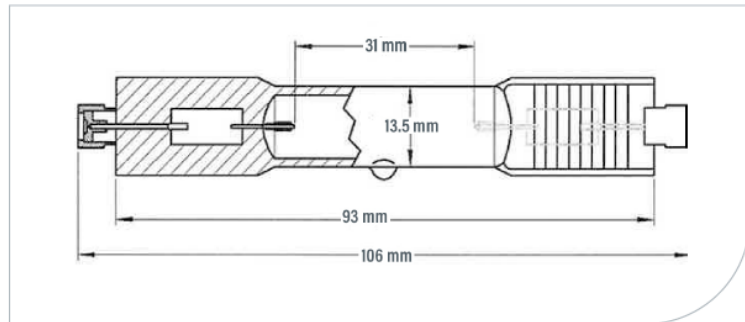


Manufacturer:
Dymax

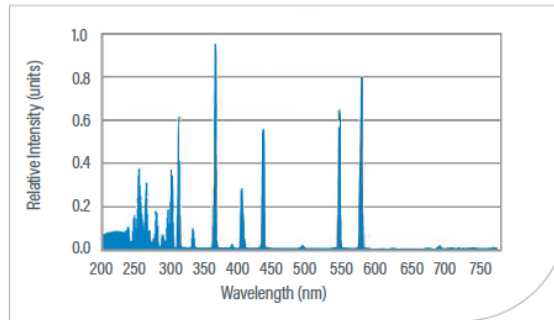
Product Name:
Dymax 2000-EC and 5000-EC Replacement Bulb (UVB, Shortwave)

Manufacturer Part Number:
36970

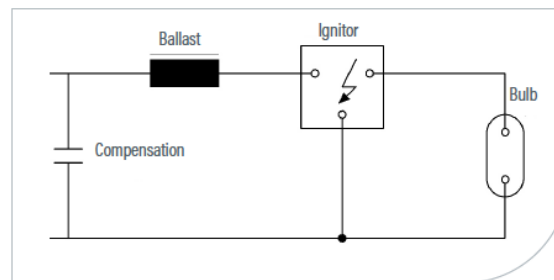
▶ Click here for more details on the Dymax 2000-EC and 5000-EC Replacement Bulb (UVB, Shortwave)



Mercury Bulb Dimensions



Standardized Spectrum



Circuit Diagram

©2020 Dymax Corporation. All rights reserved. All trademarks in this guide, except where noted, are the property of, or used under license by, Dymax Corporation, U.S.A.

Please note that most light-curing system applications are unique. Dymax does not warrant the fitness of the product for the intended application. Any warranty applicable to the product, its application and use is strictly limited to that contained in Dymax standard Conditions of Sale published on our website. Dymax recommends that any intended application be evaluated and tested by the user to ensure that desired performance criteria are satisfied. Dymax is willing to assist users in their performance testing and evaluation. Dymax reserves the right to change drawings and technical data in this bulletin. The latest updated version of the bulletin is prevailing. It is within the responsibility of the customer to check whether the latest updated version of the bulletin is available.

PB083 8/25/2020

Contact the professionals at Fiber Optic Center for a quote or to get more details.

focenter.com • 508-992-6464 | (800) 473-4237 • sales@focenter.com

23 Centre Street • New Bedford, MA 02740 USA

Product specifications and data are subject to change without notice.